

NJ20/800E.M3

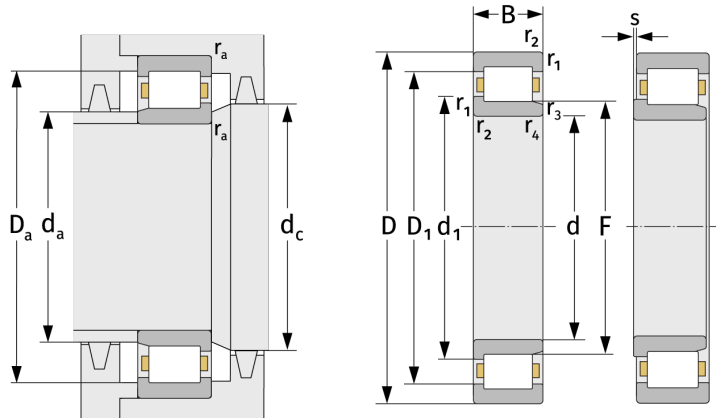
Cylindrical Roller Bearings (single row, with cage)



Details:

Main dimensions

d [mm]	800	d ₁ [mm]	≈ 923
D [mm]	1150	D ₁ [mm]	≈ 1037
B [mm]	200	r _{1,2} [mm]	7.5
Weight [kg]	≈ 712	r _{3,4} [mm]	7.5
F [mm]	885	s [mm]	10



Mating dimensions		Calculation data	
d _{a, min} [mm]	828	C [kN]	6850
d _{a, max} [mm]	880	C ₀ [kN]	14300
d _{b, min} [mm]	890	C _u [kN]	1012
d _{c, min} [mm]	929	n _{th} [min ⁻¹]	255
D _{a, max} [mm]	1122	n _g [min ⁻¹]	550
r _{a, max} [mm]	6		