

NNU4964S.M

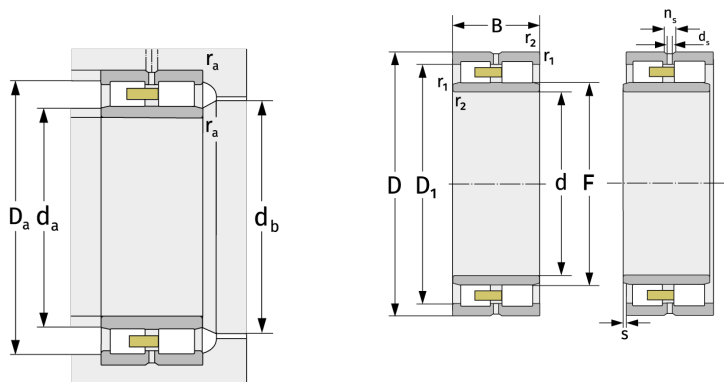
Cylindrical Roller Bearings (double row, with cage)



Details:

Main dimensions

d [mm]	320	D_1 [mm]	≈ 399
D [mm]	440	d_s [mm]	9.5
B [mm]	118	n_s [mm]	17.7
Weight [kg]	≈ 54.8	$r_{1,2}$ [mm]	3
F [mm]	359	s [mm]	6.3



Mating dimensions		Calculation data	
$d_{a, \min}$ [mm]	332	C [kN]	1110
$d_{a, \max}$ [mm]	355	C_0 [kN]	2620
$d_{b, \min}$ [mm]	363	C_u [kN]	243
$D_{a, \max}$ [mm]	428	$n_{G, \text{Fett}}$ [min^{-1}]	1600
$r_{a, \max}$ [mm]	2.5	$n_{G, \text{Öl-Luft}}$ [min^{-1}]	1900