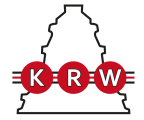


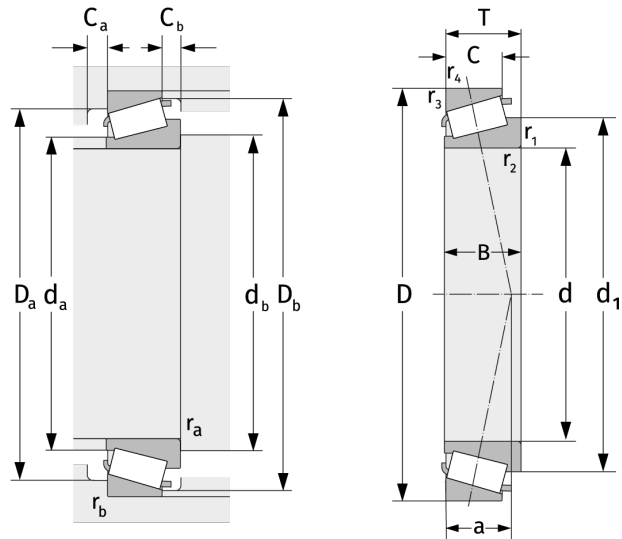
# 30344

Tapered Roller Bearings (single row, metric)



## Details:

Main dimensions			
d [mm]	220	B [mm]	88
D [mm]	460	d <sub>1</sub> [mm]	≈ 320.3
T [mm]	97	r <sub>1,2</sub> [mm]	6
Weight [kg]	≈ 67.1	r <sub>3,4</sub> [mm]	5
C [mm]	73	a [mm]	≈ 80



Mating dimensions		Calculation data	
d <sub>a,max</sub> [mm]	274	C [kN]	1500
d <sub>b,min</sub> [mm]	240	C <sub>0</sub> [kN]	1980
D <sub>a,min</sub> [mm]	392	C <sub>u</sub> [kN]	172
D <sub>a,max</sub> [mm]	437	n <sub>th</sub> [min <sup>-1</sup> ]	995
D <sub>b,min</sub> [mm]	418	n <sub>g</sub> [min <sup>-1</sup> ]	1500
C <sub>a,min</sub> [mm]	10	e	0,35
C <sub>b,min</sub> [mm]	24	Y	1,74
r <sub>a,max</sub> [mm]	6	Y <sub>0</sub>	0,96
r <sub>b,max</sub> [mm]	5		